

GENERAL NOTES TUF-1

CODE 2019 CRC; SITE CLASS D-2

DESIGN LOADS:

- ROOF LIVE LOAD - 30 LB. TO 100 LB. SNOW
- FLOOR LIVE LOAD - 40 PSF
- WIND LOAD - 110 MPH EXPOSURE "C" & 130 MPH EX. "D"
- SEISMIC ZONE - $S_s=1.4$ $F_0=1.4$ $S_{0.5}=1.41$ SITE CLASS "D"
- * SNOW LOAD (SEE NOTE #15)

- THIS FOUNDATION SYSTEM IS DESIGNED TO BE CONSTRUCTED ON A FAIRLY LEVEL SITE WITH NO EXISTING SOIL PROBLEMS.
- CHASSIS BEAM SUPPORTS SHALL BE LOCATED AND SIZED FOR THE LOADS AS SHOWN IN THE "MOBILE HOME INSTALLATION INSTRUCTIONS".
- IN AREAS WHERE DIFFERENTIAL SETTLEMENT (D.S.) CAN OCCUR, MANUFACTURED HOME SHALL BE READJUSTED WHEN DS EXCEEDS 1/4", OR WHEN IT WILL ADVERSELY AFFECT MOBILE HOME UNIT.
- CARRY ALL CONCRETE FOOTINGS DOWN TO FIRM, UNDISTURBED SOIL. FOOTINGS ARE DESIGNED FOR 1,500 PSF TOTAL LOAD SOIL PRESSURE, AND SHALL BE COMPATIBLE WITH LOCAL SOIL CONDITIONS. COMPACTED SAND MAY BE USED TO FILL LOCAL VOIDS UNDER PADS.
- STRUCTURAL STEEL: FABRICATED ACCORDING TO AISC SPECIFICATION. WELD ACCORDING TO AWS SPECIFICATIONS. ELECTRODES-370 PLATES-ASTM A36 BOLTS-SAE GR 5-ASTM A449=ASTM A375.
- THE ASSEMBLES SHOWN ON THIS PAGE SHALL BE LISTED AND LABELED BY BSK AND ASSOCIATES FOR THE FOLLOWING LOADS:

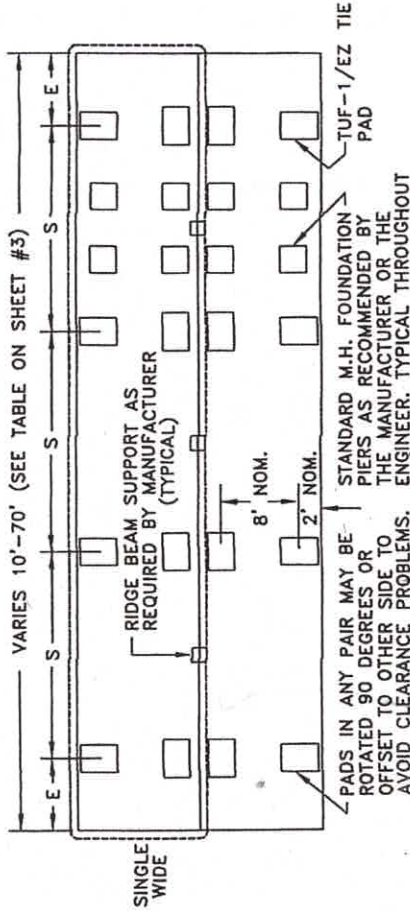
TUF-1	ALLOWABLE LOADS:	
	HORIZONTAL	VERTICAL
E-Z TIE PAD	2200#	6000#
	2200#	6000#

- DURING PRELIMINARY INSPECTION, THE ESTIMATOR SHALL ENSURE THAT MOBILE HOME CHASSIS BEAMS ARE OF STANDARD SECTION.
- EXISTING COACHES MAY BE RETROFITTED TO RESIST SEISMIC FORCES BY INSTALLING ABESCO TUF-1 UNITS AS SHOWN ON THIS PAGE OF TYPICAL FOUNDATION PLANS.
- THE TUF-1 SYSTEMS ARE SAFE FOR INSTALLATION IN FLOOD PLAIN AREAS WHERE DEPTH OF FLOODING DOES NOT EXCEED THE HEIGHT OF THREE FEET.
- MULTIPLE UNIT INSTALLATION IS ACCEPTABLE PROVIDED THE NUMBER OF TUF-1 UNITS UNDER EACH UNIT IS THE SAME AS SHOWN REQUIRED PER EACH UNIT.
- SINGLE WIDE UNITS REQUIRE 4 E-Z TIE PADS-ONE ON EACH CORNER OF THE HOME. (SEE SHEET #4). HOMES WITH 2 OR MORE MODULE UNITS DO NOT REQUIRE THE E-Z TIE PADS.
- ALL METAL COMPONENTS AND ATTACHMENT ITEMS SHALL BE PROTECTIVE COATED. EXISTING CONCRETE SLAB TO BE MIN. 3/4" THICK AND MIN. 4'-4" IN SIZE.
- WHEN CONCRETE SLAB IS IN EXISTANCE, PAD IS NOT REQUIRED. ANCHOR STAND TO CONCRETE SLAB WITH FOUR (4) 1/2" x 3 1/2" EXPANSION ANCHORS.
- TUF-1 FOUNDATION SYSTEM PROVIDES ALLOWABLE SNOW LOAD TO 100 PSF WHEN INSTALLED WITH EXISTING STANDARDS REQUIRED BY COACH MANUFACTURER & REQUIRED VERTICAL SUPPORTS MAY BE REPLACED w/ A TUF-1 STANCHION.

NOTE:

THE FOUNDATION SYSTEM IS DESIGNED FOR THE TUF-1 STANCHIONS TO BE PLACED ON THE OUTSIDE CHASSIS BEAMS OF THE MULTI-WIDE HOMES, THE TOTAL NUMBER OF TUF-1 STANCHIONS REQUIRED, CAN BE PLACED ON THE OUTSIDE OF THE INNER CHASSIS BEAMS AT EACH MODULE, SO LONG AS THE MAXIMUM SPACINGS SHOWN THIS SHEET ARE NOT EXCEEDED

LEGEND:
 SINGLE WIDE HOMES. DOUBLE/MULTIPLE HOMES.
 E=END DISTANCE E= 2' MIN. / 8' MAX. E= 2' MIN. / 11' MAX.
 S=SPACING OF THE TUF-1'S S= 6' MIN. / 22' MAX. S= 6' MIN. / 22' MAX.



REV. DATE 2-22-10

STATE APPROVAL

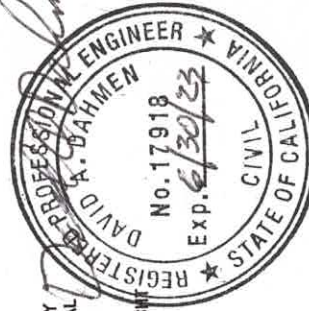
MANUFACTURED HOME/MOBILE HOME
 FOUNDATION SYSTEM
 HEALTH AND SAFETY CODE, SECTION 18551
 APPROVED

APPROVAL DOES NOT AUTHORIZE OR APPROVE ANY OMISSIONS OR DEVIATION FROM REQUIREMENTS OF APPLICABLE STATE LAWS AND REGULATIONS

State of California
 Department of Housing and Community Development

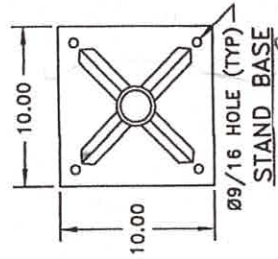
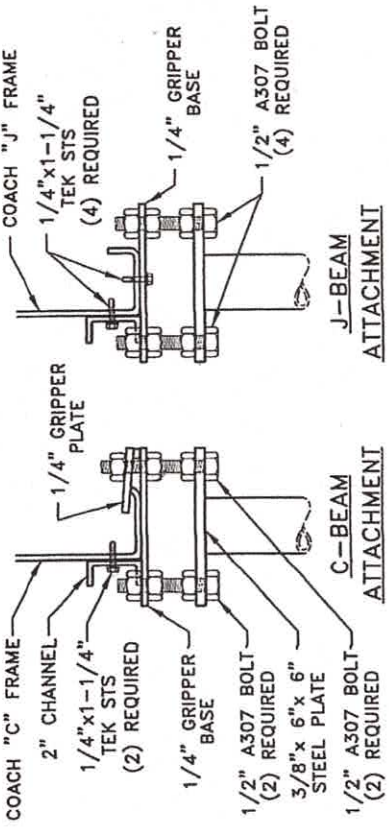
DIVISION OF CODES AND STANDARDS

BY: *[Signature]* DATE: 3/14/22
 SPA NO. 40-6P (signature)
 This Plan Approval Expires: 5/15/24



TUF-1 PERMANENT FOUNDATION SYSTEM

ABESCO
 5851 FLORIN-PERKINS ROAD
 SACRAMENTO, CA 95828
 PH: (800)382-8831 Toll Free
 FAX: (916)383-5207



STATE APPROVAL

MANUFACTURED HOME/MOBILE HOME FOUNDATION SYSTEM

HEALTH AND SAFETY CODE, SECTION 18551 APPROVED

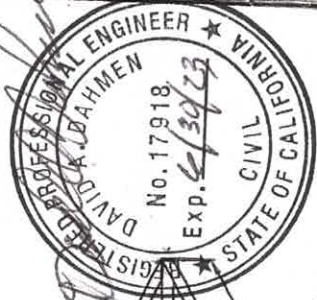
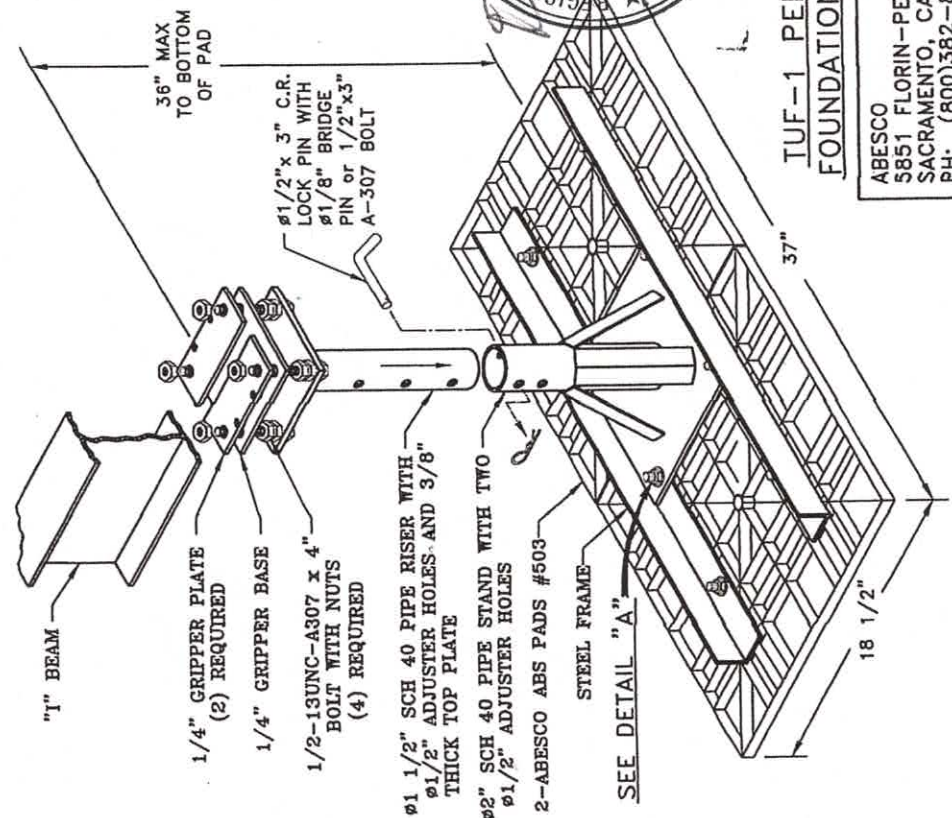
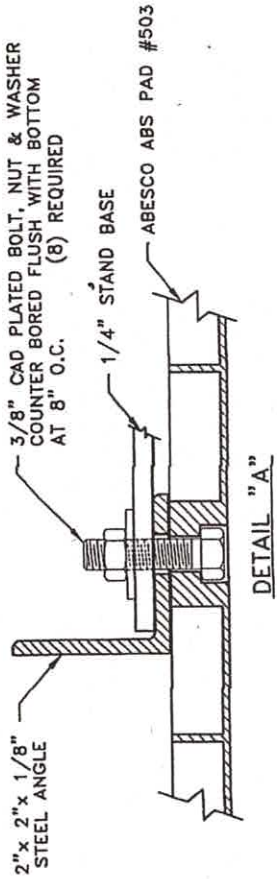
APPROVAL DOES NOT AUTHORIZE OR APPROVE ANY OMISSIONS OR DEVIATION FROM REQUIREMENTS OF APPLICABLE STATE LAWS AND REGULATIONS

State of California
Department of Housing and Community Development

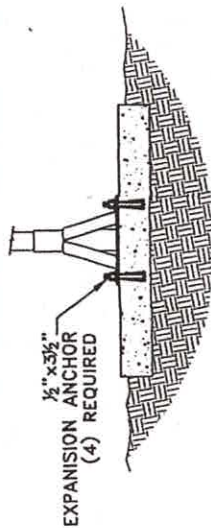
BY: *[Signature]* DATE: 3/14/24

SPA NO. 40-6P (signature) 5/15/24

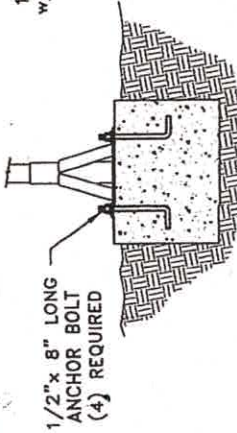
This Plan Approval Expires



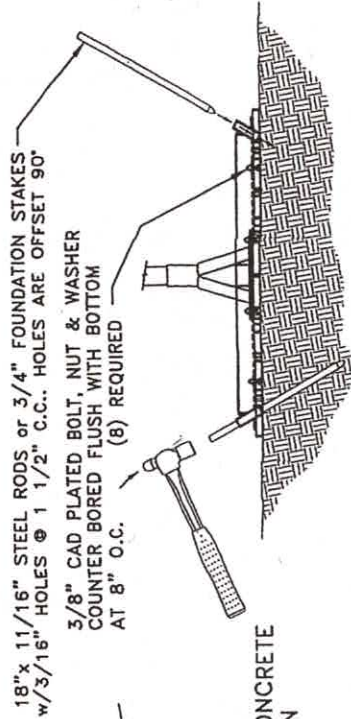
ABESCO
5851 FLORIN-PERKINS ROAD
SACRAMENTO, CA 95828
PH: (800)382-8831 Toll Free
FAX: (916)383-5207



EXISTING CONCRETE SLAB
SEE NOTE 14 SHEET 1:

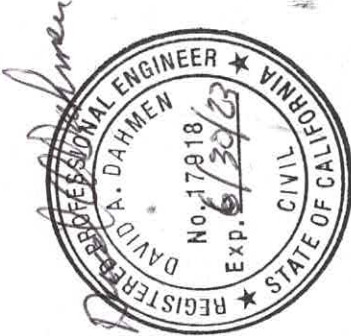


POURED IN PLACE 16x16x18 CONCRETE
FOUNDATION INSTALLATION



E-Z TIE PAD
INSTALLATION

FOR SINGLE WIDE APPLICATIONS OF THE
E-Z TIE PAD, SEE NOTE #12, PAGE 1



3-7-22

REV. DATE 2-22-10

STATE APPROVAL

MANUFACTURED HOME/MOBILE HOME
FOUNDATION SYSTEM
HEALTH AND SAFETY CODE, SECTION 18551
APPROVED

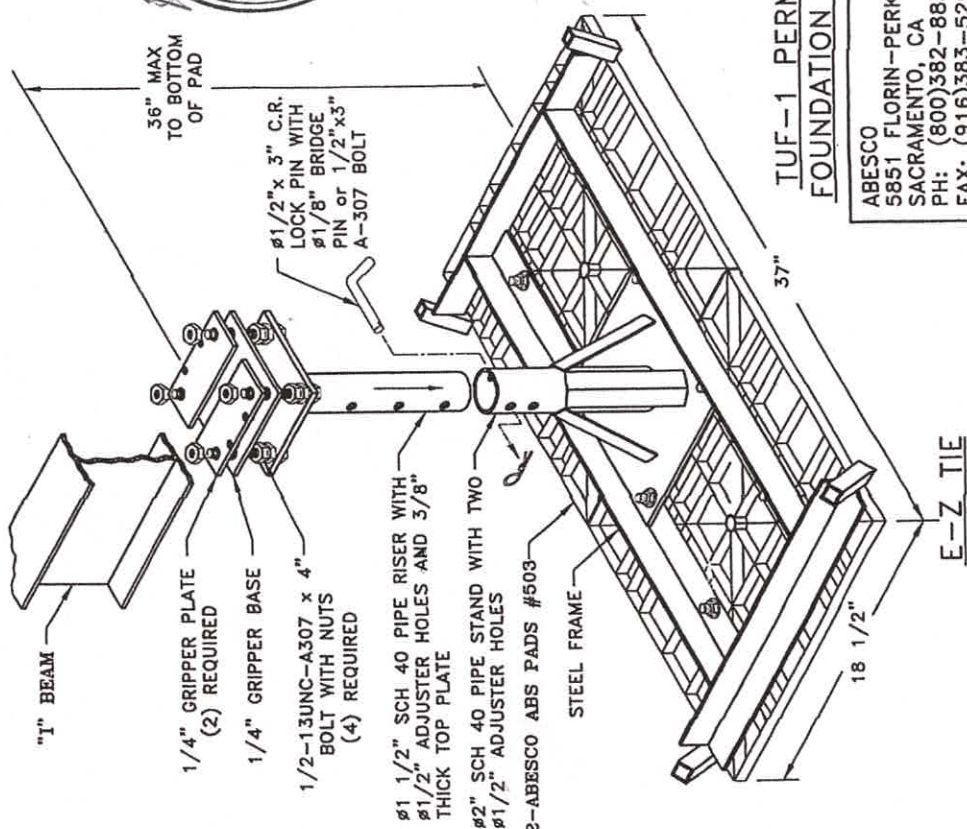
APPROVAL DOES NOT AUTHORIZE OR APPROVE ANY
OMISSIONS OR DEVIATION FROM REQUIREMENTS OF
APPLICABLE STATE LAWS AND REGULATIONS

State of California
Department of Housing and Community Development

DIVISION OF CODES AND STANDARDS

BY: *[Signature]* DATE: 3/17/22
SPA NO. 40-12 (signature)

SHEET 3 OF 5



TUF-1 PERMANENT
FOUNDATION SYSTEM

ABESCO
5851 FLORIN-PERKINS ROAD
SACRAMENTO, CA 95828
PH: (800)382-8831 Toll Free
FAX: (916)383-5207

SINGLE WIDE HOME WITH ROOF LOADS TO 60 PSF AND WINDS TO 130 MPH EXP. C

LENGTH OF HOME	NUMBER OF TUF-1's REQUIRED FOR HOMES TO 16' WIDE
UP TO 38'	4
38'-1" to 60'	6
60'-1" to 80'	8

SINGLE WIDE HOMES REQUIRE 4 - EZ TIE PADS 1 AT EACH CORNER

SINGLE WIDE HOME WITH A ROOF SNOW LOAD TO 100 PSF AND WINDS TO 130 MPH EXP. C

LENGTH OF HOME	NUMBER OF TUF-1's REQUIRED FOR HOMES TO 16' WIDE
UP TO 38'	6
38'-1" to 60'	8
60'-1" to 80'	10

MULTI WIDE HOME WITH ROOF LOADS TO 30 PSF AND WINDS TO 110 MPH EXP. C

LENGTH OF HOME	TOTAL NUMBER OF TUF-1's REQUIRED FOR GIVEN WIDTH OF HOME
UP TO 44'	4
44'-1" to 66'	6
66'-1" to 80'	8

MULTI WIDE HOME WITH ROOF SNOW LOAD TO 30 PSF AND WINDS TO 130 MPH EXP. C

LENGTH OF HOME	TOTAL NUMBER OF TUF-1's REQUIRED FOR GIVEN WIDTH OF HOME
UP TO 44'	6
44'-1" to 66'	8
66'-1" to 80'	10

MULTI WIDE HOME WITH ROOF SNOW LOAD OF 60 PSF AND WINDS TO 130 MPH EXP. C

LENGTH OF HOME	TOTAL NUMBER OF TUF-1's REQUIRED FOR GIVEN WIDTH OF HOME
UP TO 44'	6
44'-1" to 66'	8
66'-1" to 80'	10

MULTI WIDE HOME WITH ROOF SNOW LOAD OF 100 PSF AND WINDS TO 130 MPH EXP. C

LENGTH OF HOME	TOTAL NUMBER OF TUF-1's REQUIRED FOR GIVEN WIDTH OF HOME
UP TO 44'	8
44'-1" to 66'	10
66'-1" to 80'	12

NOTE:

THE FOUNDATION SYSTEM IS DESIGNED FOR THE TUF-1 STANCHIONS TO BE PLACED ON THE OUTSIDE CHASSIS BEAMS OF THE MULTI-WIDE HOMES. THE TOTAL NUMBER OF TUF-1 STANCHIONS REQUIRED, CAN BE PLACED ON THE OUTSIDE OF THE INNER CHASSIS BEAMS AT EACH MODULE - SO LONG AS THE MAXIMUM SPACINGS SHOWN ON SHEET #1 ARE NOT EXCEEDED.



3-7-22

TUF-1 PERMANENT FOUNDATION SYSTEM

ABESCO
5851 FLORIN-PERKINS ROAD
SACRAMENTO, CA 95828
PH: (800)382-8831 Toll Free
FAX: (916)383-5207

STATE APPROVAL

MANUFACTURED HOME/MOBILE HOME
FOUNDATION SYSTEM
HEALTH AND SAFETY CODE, SECTION 18551
APPROVED

APPROVAL DOES NOT AUTHORIZE OR APPROVE ANY OMISSIONS OR DEVIATION FROM REQUIREMENTS OF APPLICABLE STATE LAWS AND REGULATIONS

State of California
Department of Housing and Community Development

DIVISION OF CODES AND STANDARDS

BY [Signature] DATE 3/14/22
SPA NO. 40-6F (signature)

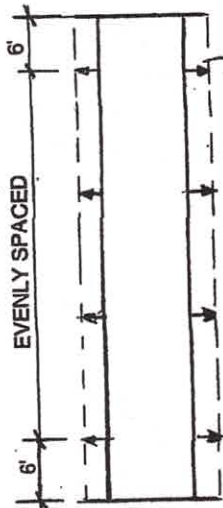
This Plan Approval Expires 3/15/24

REV. DATE 2-22-10

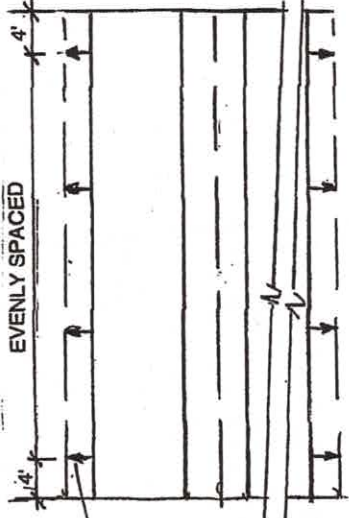


7-7-22

SINGLE WIDES		No. OF TIE DOWNS EACH SIDE
MFG'D HOME SIZE		
12' to 56'		3
12' to 57' / 70'		4
14' to 74'		4
16' to 74'		4



MULTI - WIDES		No. OF TIE DOWNS EACH SIDE
MFG'D HOME SIZE		
20' to 50'		3
20' to 51' / 60'		4
24' to 50'		3
24' to 51' / 66'		5
28' to 60'		5
28' to 61' / 74'		6
40' to 60'		7
40' to 61' / 66'		8
40' to 67' / 74'		9



**FOR INSTALLATIONS IN FLOOD HAZZARD ZONES A, AE & AH
INSTALL MIN 3150 LB. TIE DOWN STRAPS AND MIN 48" EARTH AUGERS**

**ABESCO #603 48" T.D.A. AS SHOWN
ON THE ABESCO ETS 106C**

**MANUFACTURED HOME/MOBILE HOME
FOUNDATION SYSTEM
HEALTH AND SAFETY CODE, SECTION 18551
APPROVED**

APPROVAL DOES NOT AUTHORIZE OR APPROVE ANY
OMISSIONS OR DEVIATION FROM REQUIREMENTS OF
APPLICABLE STATE LAWS AND REGULATIONS
State of California
Department of Housing and Community Development

BY: [Signature] DATE: 3/14/22
SPA NO. 40-68 (signature)
This Plan Approval Expires 5/15/24

**FOR PLACEMENT IN FLOOD HAZZARD AREAS
WHEN PERIMETER SKIRTING IS INSTALLED, PLACE
THE UNDERFLOOR VENTS SO THE BOTTOM OF
THE VENT IS MAX 12" ABOVE THE UNDERFLOOR
GROUND SURFACE**

ABESCO
5851 FLORIN - PERKINS ROAD
SACRAMENTO, CA 95828
PH: (800) 382-8831
FAX: (916) 383-5207